



Rupture Pin[®]
A BRAND OF  Taylor Valve Technology[®]

Pilot Operated Actuated Butterfly Valve (PRPT)



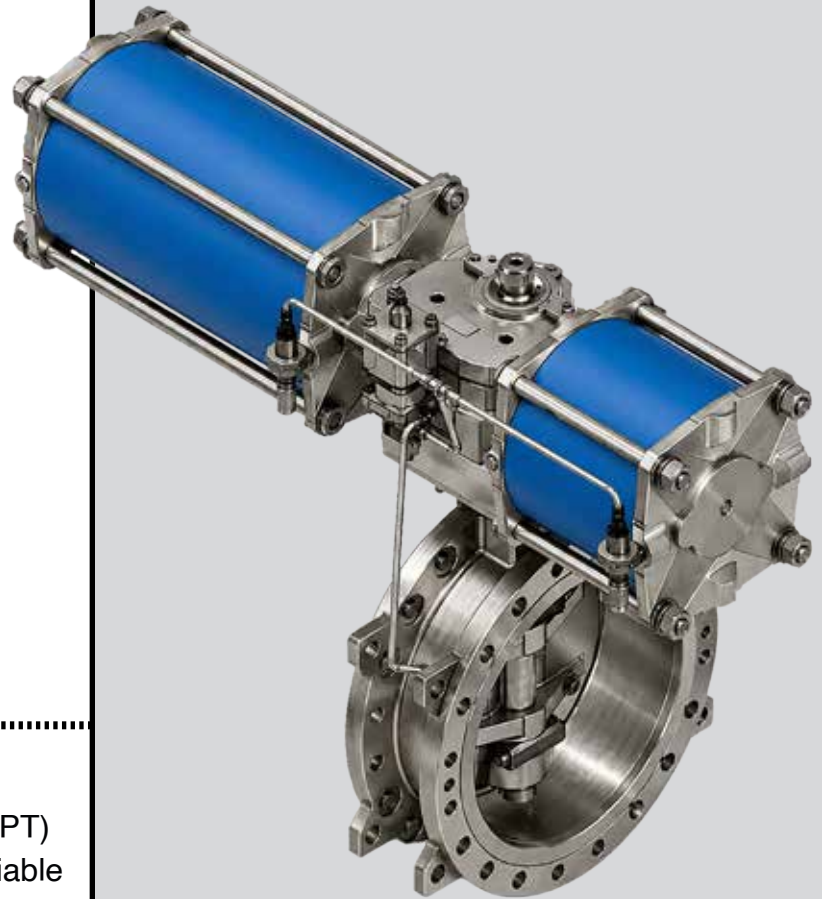
FEATURES

Fully Mechanical Operation

Failsafe Pressure Relief or Shut-In Service

Proven Rupture Pin Technology

Self-Contained Stand-Alone Installation



DESCRIPTION

The Rupture Pin Pilot Operated Butterfly Valve (PRPT) System uses proven technology to provide ultra-reliable stand-alone pressure relief or shut-in service.

APPLICATIONS

Any pressure relief or shut-in service.

INSTALLATION

- 1 No external electricity or air supply required to trigger pressure relief or shut-in. Air/ gas is only required to reset the valve.
- 2 Can be installed in remote and austere locations with little or no infrastructure.

SPECIFICATIONS

- Sizes from 2" through 42" CL150-1500
- Accuracy of $\pm 5\%$ above 40 psi, ± 2 psi < 40psi
- Double Offset Butterfly Valve fire-safe certified and SIL rated.

NOTE: Taylor Valve reserves the right to change product designs and specifications without notice.

Taylor Valve Technology
8300 S.W. 8th Street
Oklahoma City, Oklahoma 73128
TEL 405.787.0145
FAX 800.805.3401
WEB taylorvalve.com
INFO info@taylorvalve.com

6/10/26